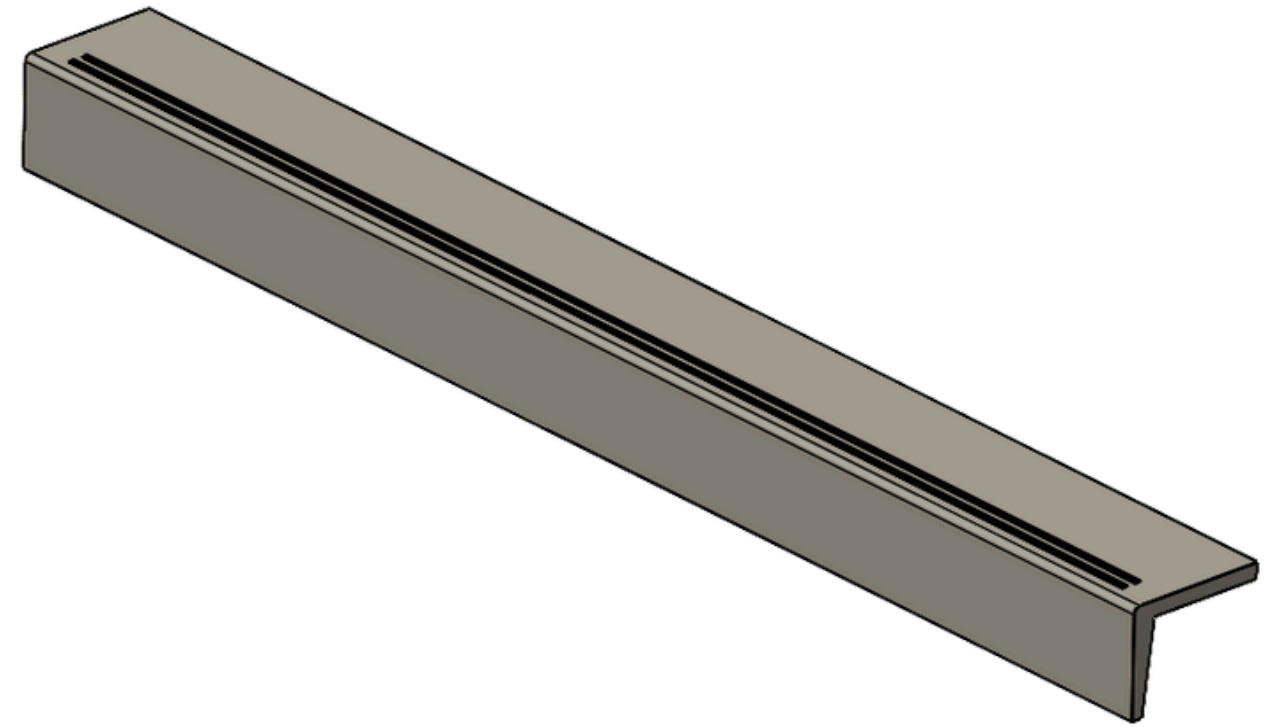
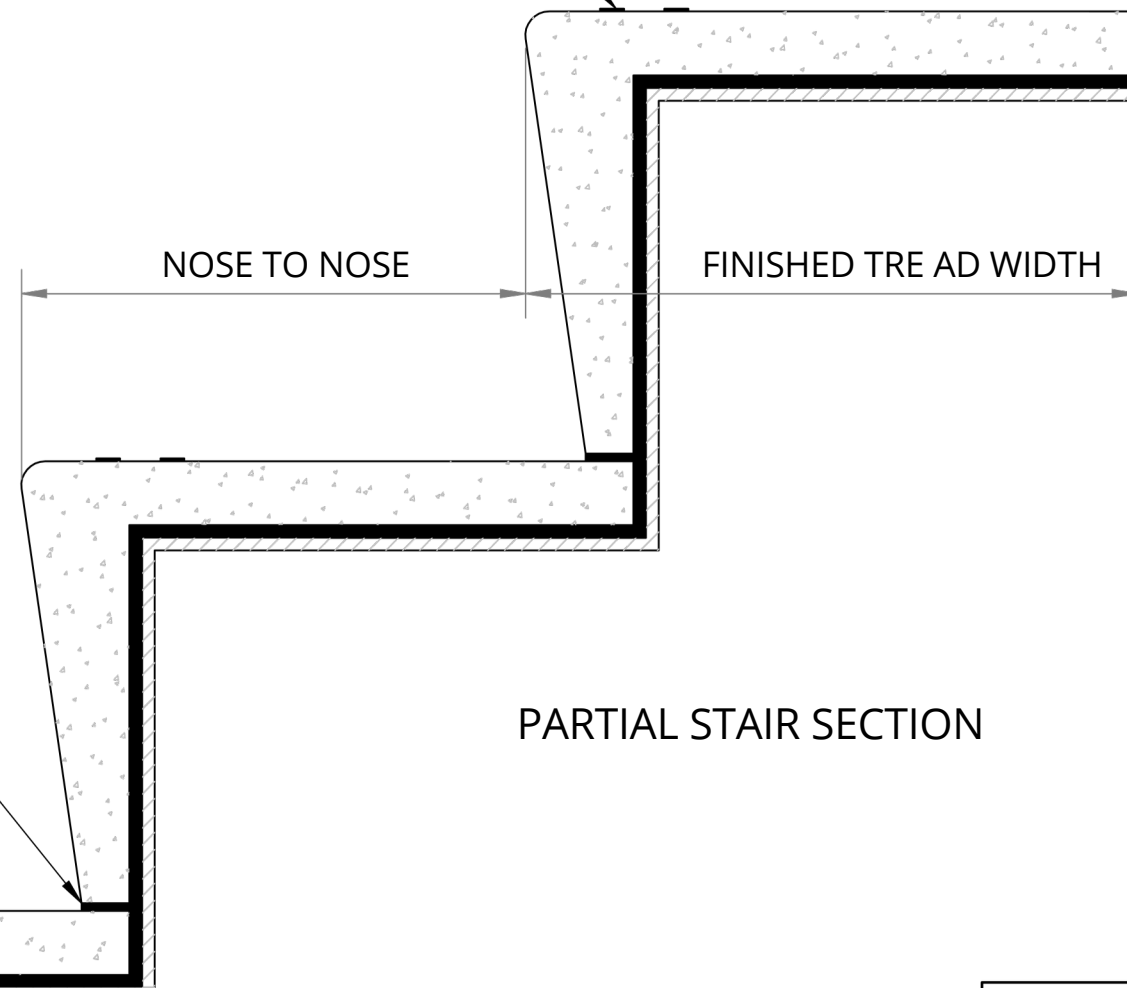


SECTION VIEW



(1-3) EPOXY ABRASIVES OR STRIPS PER DESIGN (IF REQUIRED)



PARTIAL STAIR SECTION

CAULKING JOINT AS REQUIRED

FINISHED FLOOR



PROPRIETARY AND CONFIDENTIAL THE INFORMATION CONTAINED IN THIS DRAWING IS THE SOLE PROPERTY OF STONE FINISH LLC. ANY REPRODUCTION IN PART OR AS A WHOLE WITHOUT THE WRITTEN PERMISSION OF STONE FINISH IS PROHIBITED.	DRAWN	NAME ACS	DATE 01 MAR 24
	CHECKED		
	ENG APPR		
	MFG APPR		

DESCRIPTION TREAD & RISER COMBINATION			
SIZE B	DRAWING NUMBER TR01	REV A	
SCALE: 1:5	SHEET 1 OF 1		