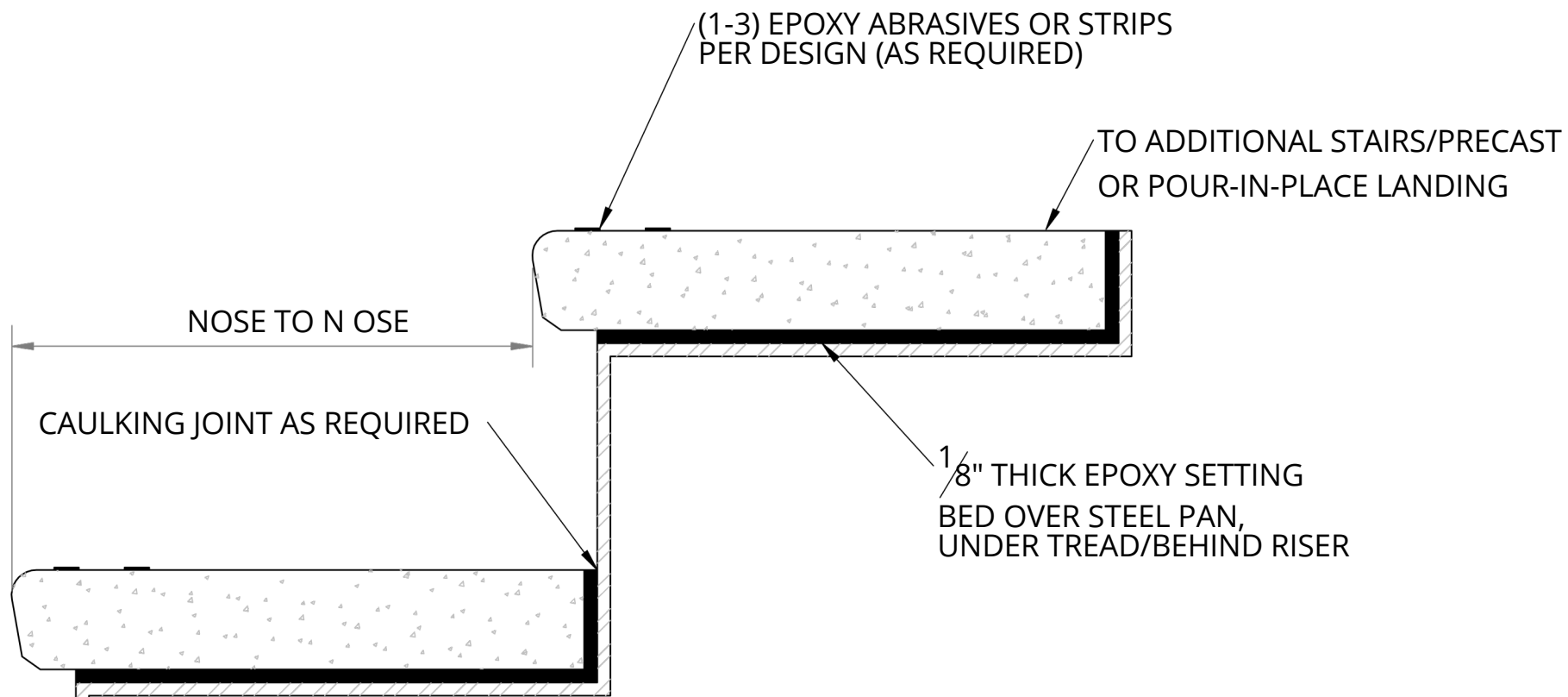
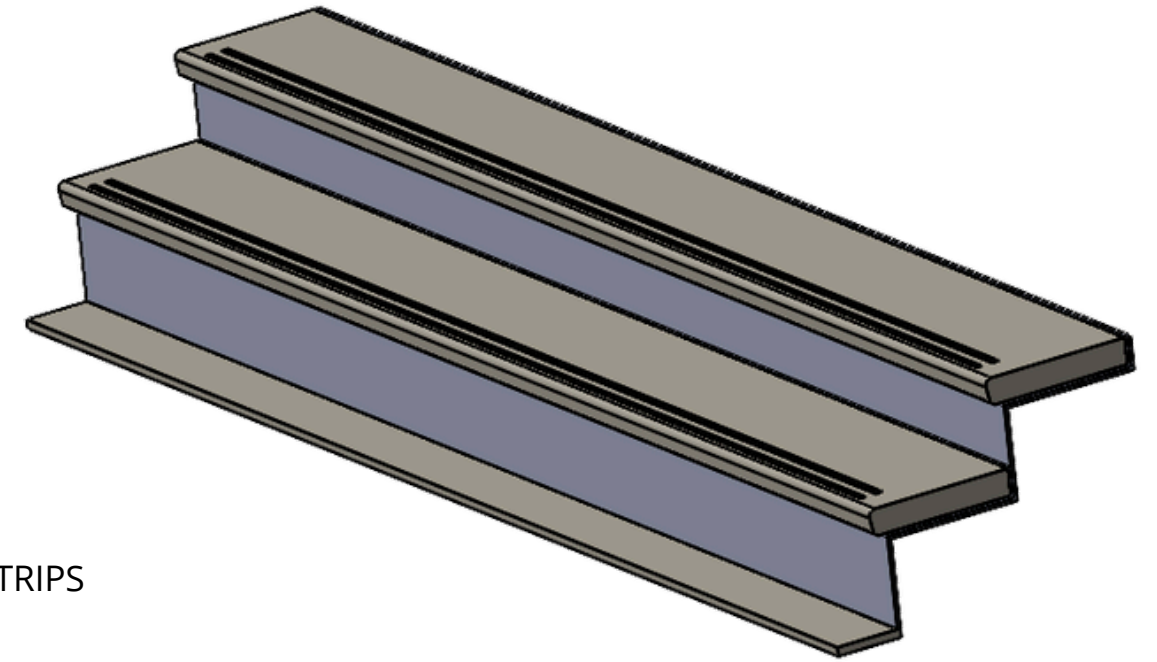
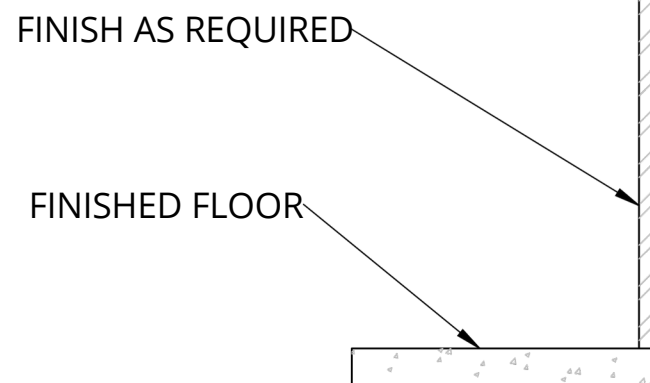


STEEL PAN WIDTH  
 MAXIMUM TREAD LENGTH 96"  
**TREAD DETAIL**



**PARTIAL STAIR SECTION**



**PROPRIETARY AND CONFIDENTIAL**  
 THE INFORMATION CONTAINED IN THIS DRAWING IS THE SOLE PROPERTY OF STONE FINISH LLC. ANY REPRODUCTION IN PART OR AS A WHOLE WITHOUT THE WRITTEN PERMISSION OF STONE FINISH IS PROHIBITED.

	NAME	DATE
DRAWN	ACS	01 MAR 24
CHECKED		
ENG APPR		
MFG APPR		

DESCRIPTION		TREAD	
SIZE	DRAWING NUMBER	REV	
B	TREAD 1	A	
SCALE:	1:16	SHEET	1 OF 1